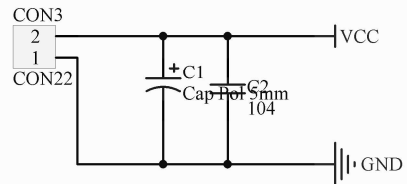


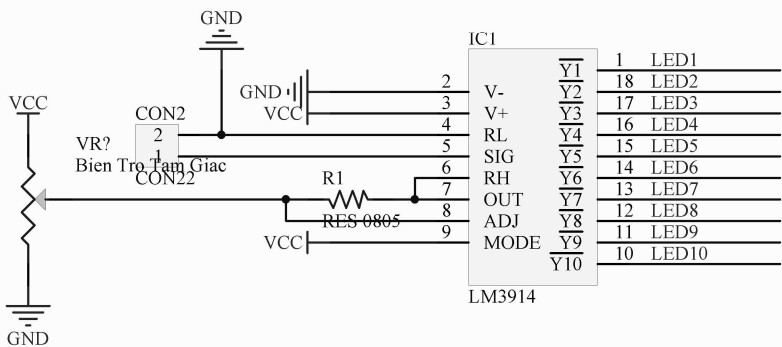
A

A



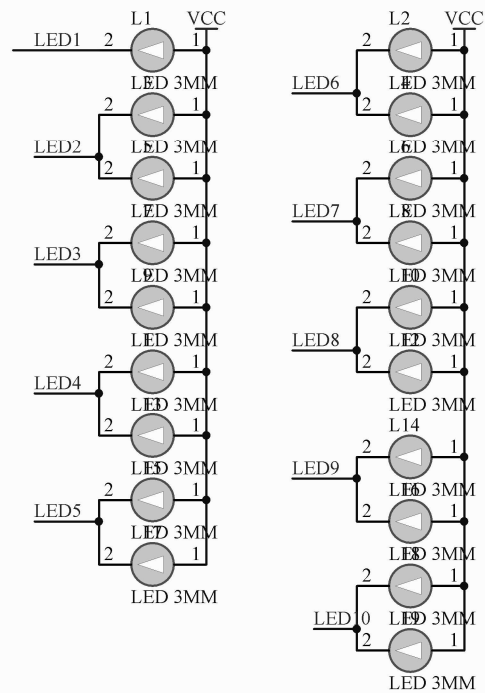
B

B



C

C



D

D

Title		
Size	Number	Revision
A		
Date:	1/24/2018	Sheet of
File:	D:\Lam Viec\...\Nhay theo nhac.SchDoc	Drawn By: