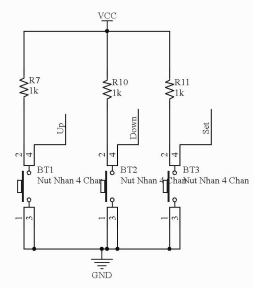
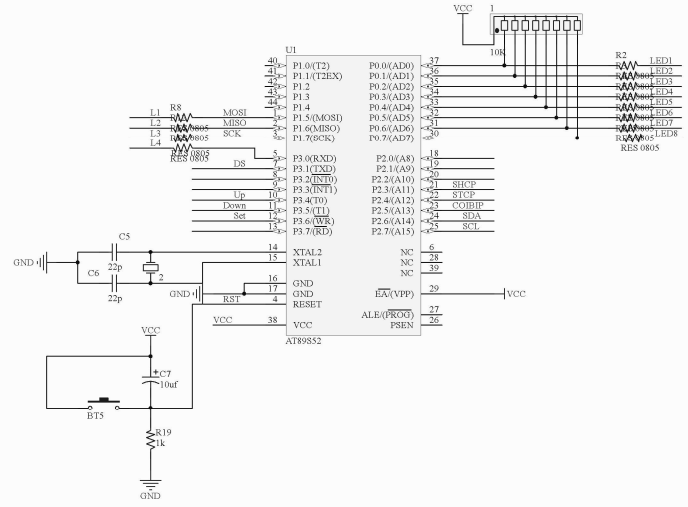
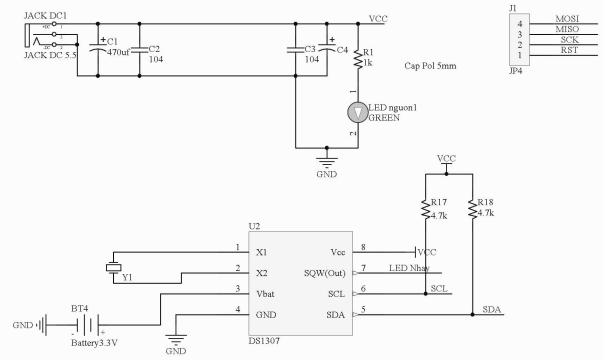
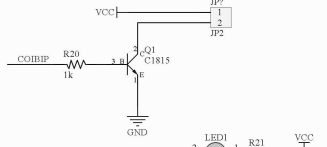


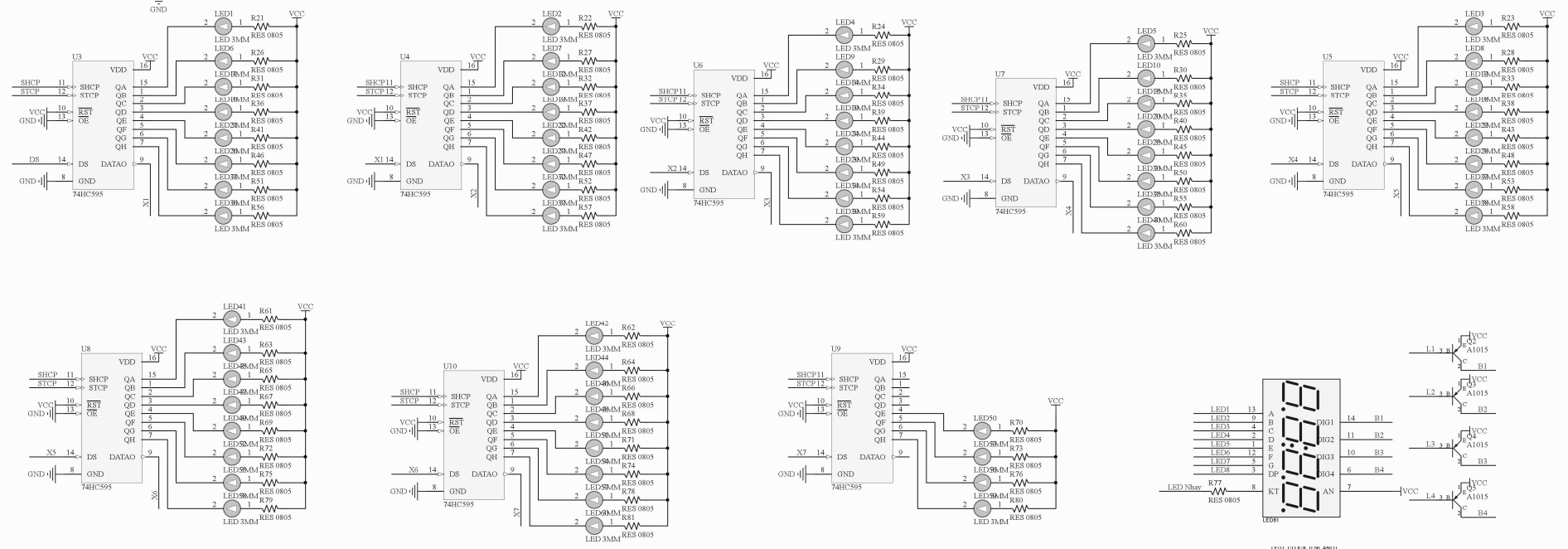
A



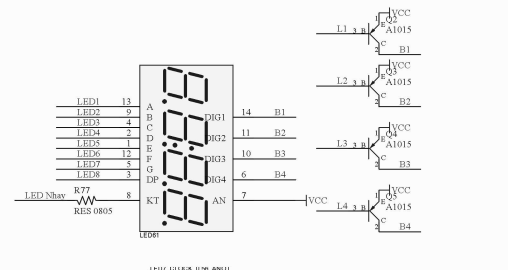
B



C



D



Title		
Size	Number	Revision
Date	9/30/2017	Sheet of
File	D:\Lam Vieu_\Dong Ho 60 led SchDoc	Drawn By: